

NOTES: UNLESS OTHERWISE SPECIFIED

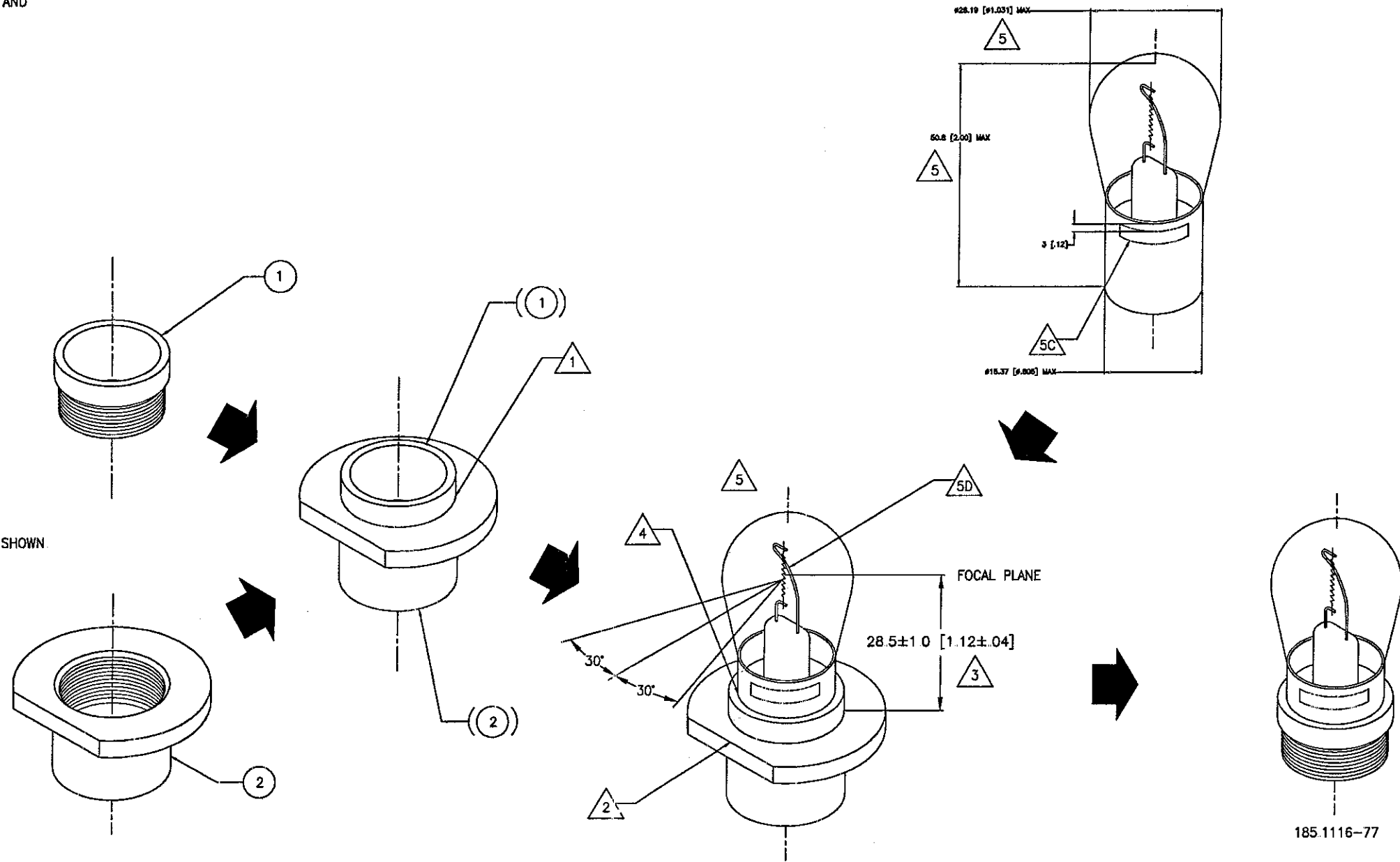
- 1 SCREW PARTS TOGETHER FINGER TIGHT
- 2 POSITION FILAMENT TOWARD FLAT (SEAWARD SIDE) OF TOOL BEFORE SOLDERING.
- 3 DIMENSION IS FROM TOOL SURFACE TO MIDDLE OF FILAMENT (FOCAL PLANE).
- 4 SOLDER ALL AROUND. (LAMP AND ADAPTER MAY BE MARKED AND REMOVED FROM TOOL FOR SOLDERING.)
- 5 LAMP SPECIFICATIONS: (SEE TABLE)

- A. RATED LIFE OF LAMP: 1,000 HOURS
- B. BASE MATERIAL: NICKEL PLATED BRASS
- C. VOLTAGE AND CURRENT TO BE PERMANENTLY MARKED ON BASE WITH 2.5 [.10] HIGH (MINIMUM) CHARACTERS MARKING TO BE VISIBLE AND LEGIBLE.
- D. SPIRAL SUPPORT MUST CROSS BEHIND FILAMENT AT FOCAL PLANE, $180^\circ \pm 30^\circ$ FROM THE "SEAWARD" FLAT.

- 6 ONE REQUIRED PER LAMP ASSEMBLY.
- 7 QUANTITY DETERMINED BY PURCHASE ORDER.
- 8 THIS DRAWING DOCUMENTS THE FOLLOWING PARTS:
 185 1116-19 LAMP, 12V, 1.9A
 185 1116-30 LAMP, 12V, 3.0A
 185 1116-77 LAMP, 12V, .77A
- 9 CLAMP PARTS TOGETHER AND MACHINE TO THE DIMENSIONS SHOWN (FLATS 180° APART).
- 10 REMOVE ALIGNMENT TOOL AND ADD TWO SLOTS, TWO HOLES AND ONE TAPPED HOLE.
- 11 CLAMP PARTS TOGETHER AND MACHINE TO THE DIMENSIONS SHOWN

PART NUMBER	VOLTAGE (VOLTS)	CURRENT (AMPS)	FILAMENT			BULB TYPE	LUMEN OUTPUT (LUMENS) $\pm 10\%$
			HEIGHT ($\pm 0.5\text{mm}$)	WIDTH ($\pm 0.25\text{mm}$)	TYPE		
185.1116-19	12	1.9	3.0 mm	1.5 mm	CC-8	S-11	390
185.1116-30	12	3.0	5.5 mm	1.9 mm	CC-8	S-11	600
185.1116-77	12	0.77	6.5 mm	0.3 mm	C-8	S-8	130

ITEM	QTY	DESCRIPTION	MATERIAL
1	6	ADAPTER, LAMP	360 BRASS
2	REF	TOOL - 0096	360 BRASS



APPROVED FOR:
 PO 125289
 CA INT. 11-9-17
 ONLY DATE

77A / C-8

HAZARDOUS AREA CERTIFIED PRODUCT
 NO MODIFICATIONS PERMITTED WITHOUT
 APPROVAL OF TSC QUALITY MANAGER
 CERTIFICATE RELATED DRAWING

VENDOR ITEM CONTROL DRAWING

REV	ECN	DESCRIPTION	BY	CHK	DATE	APVD
A	3603	X4 RELEASED AS A	EM	ZH	06-03-03	

ATTENTION - MANUAL REVISIONS ARE NOT PERMITTED.

UNLESS OTHERWISE SPECIFIED				MATERIAL	
1. TOLERANCE MILLIMETER		TOLERANCE MILLIMETER		FINISH	
MILLIMETERS		INCHES		EQUIV	
X = ± 0.8		X = ± 0.03		0.762	
.X = ± 0.4		.XX = ± 0.015		0.381	
.XX = ± 0.13		.XXX = ± 0.005		0.127	
2. ANGULAR $\pm 0.30^\circ$				3. ALL DIMENSIONS ARE IN MILLIMETERS OR MILLIMETER [INCHES]	
4. TOLERANCES ARE NON-ACCUMULATIVE.				5. MACHINED INSIDE CORNERS 0.5R MAX.	
6. INTERPRET DWG PER ANSI Y14.5M-1982.				SURFACE FINISH 125 ✓ REMOVE BURRS AND SHARP EDGES	
DWG SIZE		NEXT ASSEMBLY		USED ON	
NOTICE: THIS DRAWING EMBODIES PROPRIETARY AND CONFIDENTIAL INFORMATION AND IS LOANED BY TIDELAND SIGNAL CORP. WITH THE UNDERSTANDING THAT IT WILL NOT BE REPRODUCED IN PART OR WHOLE, OR USED FOR ANY PURPOSE OTHER THAN MAINTENANCE, REPAIR, OR INSTALLATION AND IT SHALL BE RETURNED ON DEMAND.					
DRAWN EM		DATE 05FEB02		ENGRG MGR DATE [Signature] 06/03/03	
CHECKED HF		DATE 28JUN02		MFG MGR DATE [Signature] 6-6-03	
PROJ ENGR [Signature]		DATE 4JUN03		DATE [Signature] 5/2/03	
DO NOT SCALE DRAWING		SCALE 2:1		SHEET 1 OF 4	
TIDELAND SIGNAL CORP. 4310 DIRECTORS ROW HOUSTON, TEXAS 77092		TITLE LAMP ASSY/ADAPTER/TOOLING LC-6 EX		REV A	

185.1116-DWG 23-APR03 09:50

8 7 6 5 4 3 2 1

D

D

C

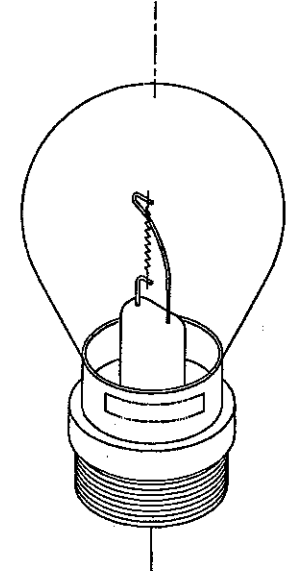
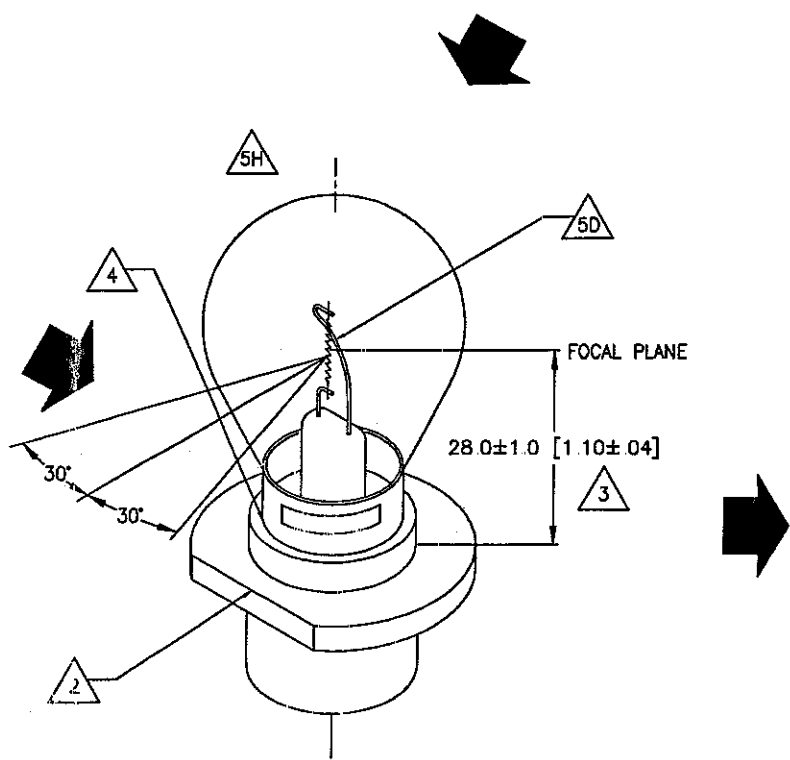
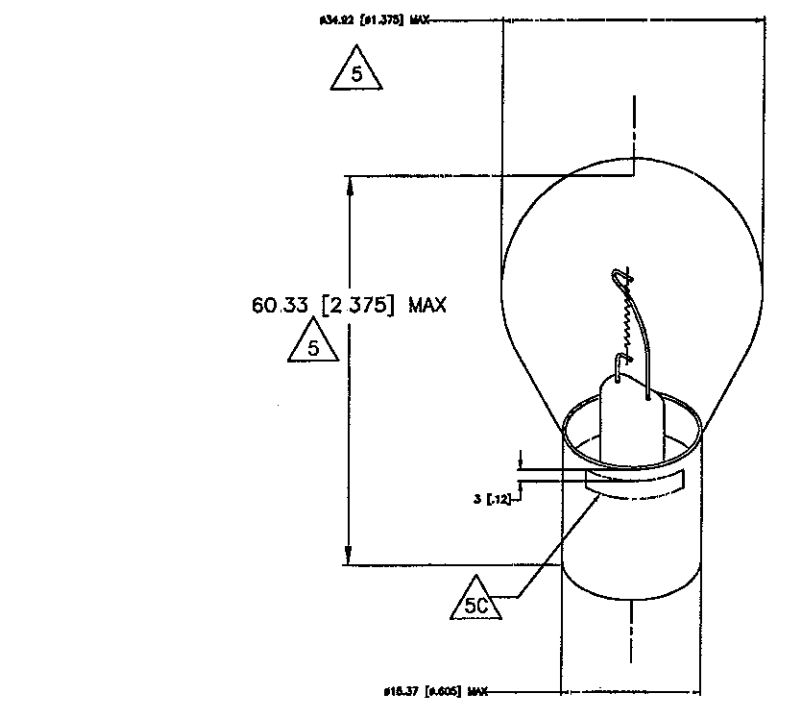
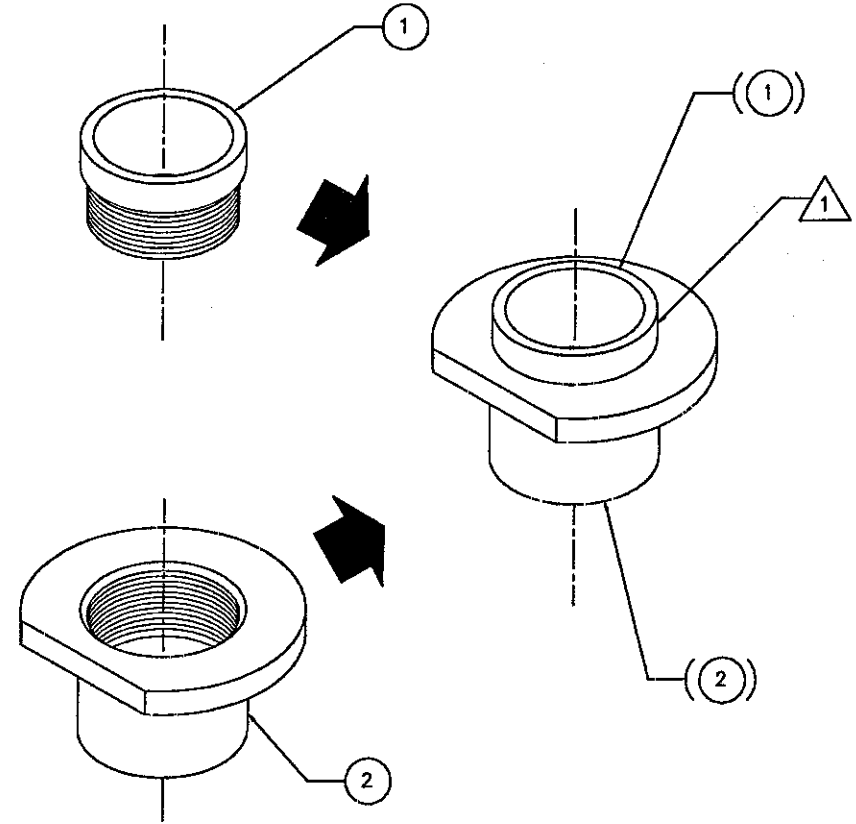
C

B

B

A

A



185.1116-19

1.9A / CC-8

HAZARDOUS AREA CERTIFIED PRODUCT
 NO MODIFICATIONS PERMITTED WITHOUT
 APPROVAL OF TSC QUALITY MANAGER
 CERTIFICATE RELATED DRAWING

		TIDELAND SIGNAL CORP. 4310 DIRECTORS ROW HOUSTON, TEXAS 77092	
UL	EX	DWG SIZE	PART NUMBER
		D	185.1116-DWG
DO NOT SCALE DRAWING		SCALE 2:1	SHEET 2 OF 4

ATTENTION - MANUAL REVISIONS ARE NOT PERMITTED.

1 ORIGINAL

8 7 6 5 4 3 2 1

8 7 6 5 4 3 2 1

D

D

C

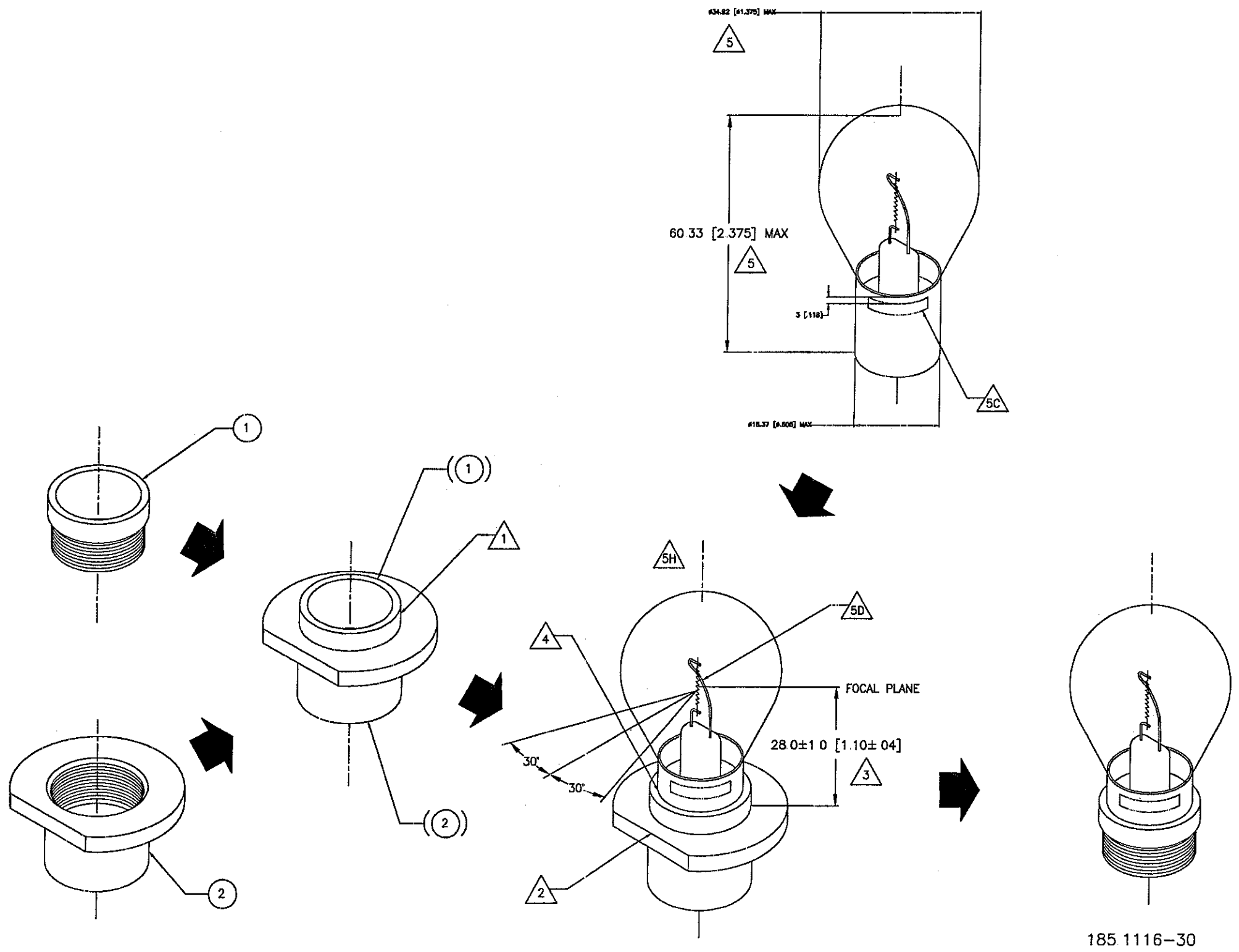
C

B

B

A

A



3.0A / CC--8

185 1116-30

HAZARDOUS AREA CERTIFIED PRODUCT
 NO MODIFICATIONS PERMITTED WITHOUT
 APPROVAL OF TSC QUALITY MANAGER
 CERTIFICATE RELATED DRAWING

TIDELAND SIGNAL CORP. 4310 DIRECTORS ROW HOUSTON, TEXAS 77092	
UL	EX
✓	✓
DWG SIZE	PART NUMBER
D	185.1116-DWG
REV	A
DO NOT SCALE DRAWING	SCALE 2:1
SHEET 3	OF 4

ATTENTION - MANUAL REVISIONS ARE NOT PERMITTED.

1 ORIGINAL

8 7 6 5 4 3 2 1

8

7

6

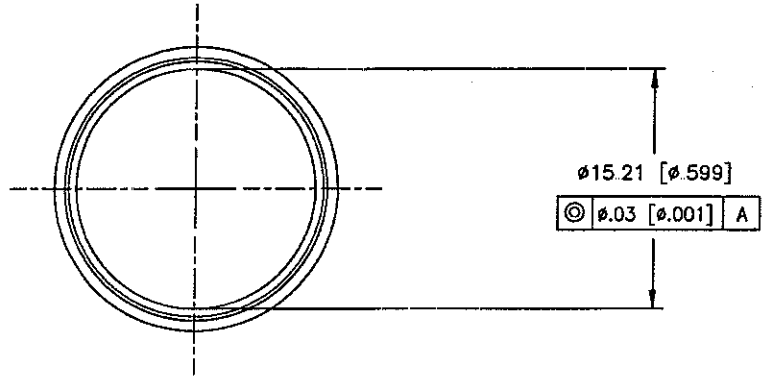
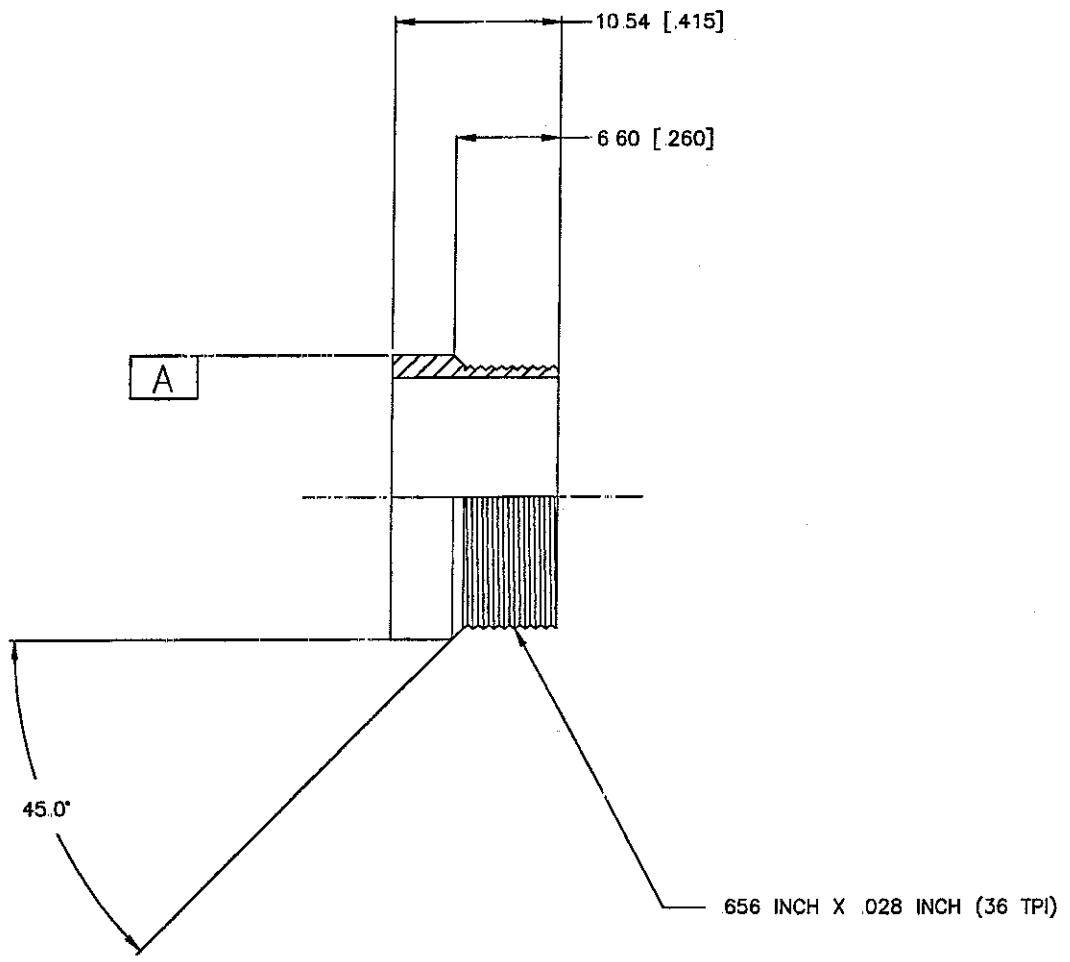
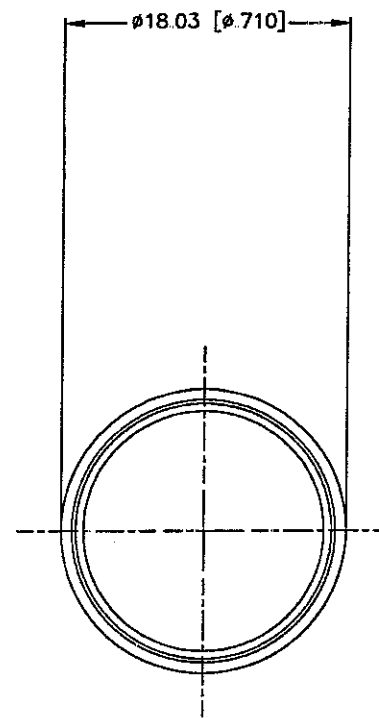
5

4

3

2

1



ITEM 1
 (1 REQ EACH LAMP ASSEMBLY)
 ADAPTER, LAMP

HAZARDOUS AREA CERTIFIED PRODUCT
 NO MODIFICATIONS PERMITTED WITHOUT
 APPROVAL OF TSC QUALITY MANAGER
 CERTIFICATE RELATED DRAWING

TIDELAND SIGNAL CORP.
 4310 DIRECTORS ROW HOUSTON, TEXAS 77092

DL	EX	DWG SIZE	PART NUMBER	REV
		D	185.1116-DWG	A

ATTENTION - MANUAL REVISIONS ARE NOT PERMITTED.

DO NOT SCALE DRAWING SCALE 4:1 SHEET 4 OF 4

ORIGINAL